



US00D621645S

(12) **United States Design Patent**  
**Johnson et al.**

(10) **Patent No.:** **US D621,645 S**

(45) **Date of Patent:** **\*\* Aug. 17, 2010**

(54) **GRAVITY FEED DISPENSER DISPLAY**

(75) Inventors: **Terry J. Johnson**, Chicago, IL (US);  
**John Schoemer**, Elk Grove Village, IL  
(US); **Travis O. Johnson**, Chicago, IL  
(US)

(73) Assignee: **Gamon Plus, Inc.**, Elk Grove, IL (US)

(\*\*) Term: **14 Years**

(21) Appl. No.: **29/355,536**

(22) Filed: **Feb. 9, 2010**

2,443,871 A	6/1948	Shield
2,852,327 A	9/1958	Mason
2,888,145 A	5/1959	Knott et al.
2,996,344 A	8/1961	Garman et al.
3,784,022 A	1/1974	Beesley
3,942,631 A	3/1976	Sutherland et al.
4,105,126 A	8/1978	Deffner et al.
4,200,220 A	4/1980	Ganz
4,228,903 A	10/1980	Eckert
4,274,580 A	6/1981	Arnold
4,356,923 A	11/1982	Young et al.
4,426,008 A	1/1984	Olsen et al.

**Related U.S. Application Data**

(60) Continuation of application No. 29/344,245, filed on Sep. 25, 2009, now Pat. No. Des. 612,646, which is a continuation of application No. 29/339,359, filed on Jun. 29, 2009, now Pat. No. Des. 608,575, which is a continuation of application No. 29/332,015, filed on Feb. 6, 2009, now Pat. No. Des. 595,074, which is a division of application No. 29/318,303, filed on May 16, 2008, now Pat. No. Des. 588,386, which is a continuation of application No. 11/164,784, filed on Dec. 6, 2005, which is a continuation-in-part of application No. 11/255,271, filed on Oct. 21, 2005, now abandoned, which is a division of application No. 10/600,387, filed on Jun. 20, 2003, now Pat. No. 6,991,116.

(Continued)

**OTHER PUBLICATIONS**

P.O.P. & Sign Design regarding Welch's Juice Makers, Mar./Apr. 1997, p. 61.

(Continued)

*Primary Examiner*—Brian N Vinson  
(74) *Attorney, Agent, or Firm*—SAIDMAN DesignLaw Group

(57) **CLAIM**

The ornamental design for a gravity feed dispenser display, as shown and described.

**DESCRIPTION**

The sole FIGURE is a perspective view of a gravity feed dispenser display showing our new design.

The broken line showing is for the purpose of illustrating portions of the gravity feed dispenser display and forms no part of the claimed design.

(51) **LOC (9) Cl.** ..... **20-02**  
(52) **U.S. Cl.** ..... **D6/515**  
(58) **Field of Classification Search** ..... D6/515-524;  
206/389, 391; 211/13.1, 16, 44, 49.1, 50,  
211/59.2, 86.01; 222/173, 181.1; 221/283;  
312/34, 34.8, 34.22, 309.1, 60

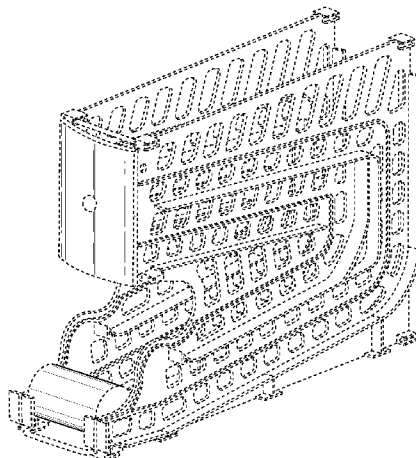
See application file for complete search history.

(56) **References Cited**

**U.S. PATENT DOCUMENTS**

1,694,897 A	12/1928	Washburn
1,999,021 A	4/1935	Marsh
2,382,191 A	8/1945	Weichselbaum

**1 Claim, 1 Drawing Sheet**



# US D621,645 S

Page 2

## U.S. PATENT DOCUMENTS

4,456,147 A	6/1984	Tominaga		D486,324 S *	2/2004	Mason	.....	D6/515
4,474,297 A	10/1984	Zucker		6,786,341 B2	9/2004	Stinnett et al.		
4,530,548 A	7/1985	Spamer et al.		D499,590 S *	12/2004	Meredith	.....	D6/515
4,598,828 A	7/1986	Young et al.		D499,914 S *	12/2004	Rimback	.....	D6/515
D290,790 S	7/1987	Nathan et al.		D509,689 S *	9/2005	Ho	.....	D6/515
4,823,984 A	4/1989	Ficken		6,991,116 B2	1/2006	Johnson		
4,974,771 A	12/1990	Lavery		7,083,054 B2	8/2006	Squitieri		
4,997,106 A	3/1991	Rockola		7,104,435 B2	9/2006	Holley et al.		
5,228,590 A	7/1993	Blasko et al.		D563,127 S *	3/2008	Henry et al.	.....	D6/515
D342,420 S	12/1993	Ienna		D572,057 S *	7/2008	Lledo	.....	D6/515
5,289,943 A	3/1994	Powell		D584,547 S *	1/2009	Merrick et al.	.....	D6/515
5,295,608 A *	3/1994	Blasko et al.	..... 312/309.1	D588,386 S *	3/2009	Johnson et al.	.....	D6/515
D354,181 S	1/1995	Smith et al.		7,523,842 B2	4/2009	Spivey		
D380,113 S	6/1997	Byrd		D595,074 S *	6/2009	Johnson et al.	.....	D6/515
5,645,176 A	7/1997	Jay		D608,575 S *	1/2010	Johnson et al.	.....	D6/515
5,788,117 A	8/1998	Zimmanck		2002/0185499 A1	12/2002	Harrelson et al.		
5,806,712 A	9/1998	Siemsen et al.						
D405,622 S	2/1999	Linz						
D417,975 S	12/1999	Linz						
6,068,142 A	5/2000	Primiano						
6,484,903 B2	11/2002	Spivey						
6,554,159 B1	4/2003	Behr et al.						
6,578,736 B2	6/2003	Spivey						

## OTHER PUBLICATIONS

Photographs (5) of Gamon International's can dispenser display, 1997.

Serpentine Modular Gravity Feed Can Dispenser, [www.displayand-design.com.au](http://www.displayand-design.com.au), Apr. 29, 2004, Display&Design International. Pty. Ltd.

\* cited by examiner

