



US00D612646S

(12) **United States Design Patent**
Johnson et al.

(10) **Patent No.:** **US D612,646 S**
(45) **Date of Patent:** **** Mar. 30, 2010**

- (54) **GRAVITY FEED DISPENSER DISPLAY**
- (75) Inventors: **Terry J. Johnson**, Chicago, IL (US);
John Schoemer, Elk Grove Village, IL (US);
Travis O. Johnson, Chicago, IL (US)
- (73) Assignee: **Gamon Plus, Inc.**, Elk Grove, IL (US)
- (**) Term: **14 Years**
- (21) Appl. No.: **29/344,245**
- (22) Filed: **Sep. 25, 2009**

3,784,022 A	1/1974	Beesley
3,942,631 A	3/1976	Sutherland et al.
4,105,126 A	8/1978	Deffner et al.
4,200,220 A	4/1980	Ganz
4,228,903 A	10/1980	Eckert
4,274,580 A	6/1981	Arnold
4,356,923 A	11/1982	Young et al.
4,426,008 A	1/1984	Olsen et al.
4,456,147 A	6/1984	Tominaga
4,474,297 A	10/1984	Zucker
4,598,828 A	7/1986	Young et al.

Related U.S. Application Data

- (60) Continuation of application No. 29/339,359, filed on Jun. 29, 2009, which is a continuation of application No. 29/332,015, filed on Feb. 6, 2009, now Pat. No. Des. 595,074, which is a division of application No. 29/318,303, filed on May 16, 2008, now Pat. No. Des. 588,386, which is a continuation of application No. 11/164,784, filed on Dec. 6, 2005, which is a continuation-in-part of application No. 11/255,271, filed on Oct. 21, 2005, now abandoned, which is a division of application No. 10/600,387, filed on Jun. 20, 2003, now Pat. No. 6,991,116.

(Continued)

OTHER PUBLICATIONS

P.O.P. & Sign Design regarding Welch's Juice Makers, Mar./Apr. 1997, p. 61.

(Continued)

Primary Examiner—Brian N Vinson
(74) *Attorney, Agent, or Firm*—SAIDMAN DesignLaw Group

- (51) **LOC (9) Cl.** **20-02**
- (52) **U.S. Cl.** **D6/515**
- (58) **Field of Classification Search** D6/515-524;
206/389, 391; 211/13.1, 16, 44, 49.1, 50,
211/59.2, 86.01; 222/173, 181.1; 221/283;
312/34, 34.8, 34.22, 309.1

(57) **CLAIM**

The ornamental design for a gravity feed dispenser display, as shown and described.

See application file for complete search history.

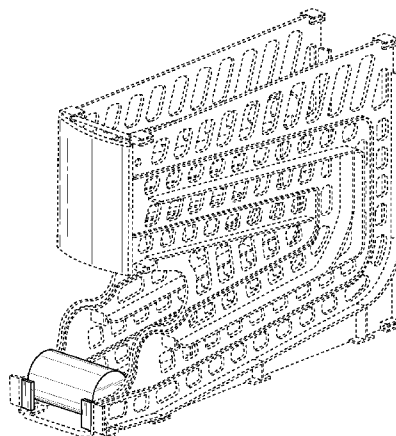
DESCRIPTION

The sole FIGURE is a perspective view of a gravity feed dispenser display showing our new design.

The broken line disclosure in the views is understood to represent the article in which the claimed design is embodied, but which forms no part of the claimed design, and where a broken line abuts a claimed surface it is understood to form an unclaimed boundary between claimed and unclaimed surfaces.

- (56) **References Cited**
- U.S. PATENT DOCUMENTS**
- 2,382,191 A 8/1945 Weichselbaum
- 2,443,871 A 6/1948 Shield
- 2,852,327 A 9/1958 Mason
- 2,888,145 A 5/1959 Knott et al.
- 2,996,344 A 8/1961 Garman et al.

1 Claim, 1 Drawing Sheet



US D612,646 S

Page 2

U.S. PATENT DOCUMENTS

D290,790 S 7/1987 Nathan et al.
4,823,984 A 4/1989 Ficken
4,974,771 A 12/1990 Lavery
4,997,106 A 3/1991 Rockola
D342,420 S 12/1993 Ienna
5,289,943 A 3/1994 Powell
D354,181 S 1/1995 Smith et al.
D380,113 S 6/1997 Byrd
5,645,176 A 7/1997 Jay
5,806,712 A 9/1998 Siemsen et al.
D405,622 S 2/1999 Linz
D417,975 S 12/1999 Linz
D486,324 S * 2/2004 Mason D6/515
D499,590 S * 12/2004 Meredith D6/515

D499,914 S * 12/2004 Rimback D6/515
D509,689 S * 9/2005 Ho D6/515
6,991,116 B2 1/2006 Johnson
D563,127 S * 3/2008 Henry et al. D6/515
D572,057 S * 7/2008 Lledo D6/515
D584,547 S * 1/2009 Merrick et al. D6/515

OTHER PUBLICATIONS

Photographs (5) of Gamon International's can dispenser display, 1997.

Serpentine Modular Gravity Feed Can Dispenser, www.displayand-design.com.au, Apr. 29, 2004, Display&Design International. Pty. Ltd.

* cited by examiner

