

(12) **United States Design Patent** (10) **Patent No.:** **US D814,162 S**
MacIntyre (45) **Date of Patent:** **** Apr. 3, 2018**

(54) **FOOTWEAR UPPER**

(71) Applicant: **Deckers Outdoor Corporation**, Goleta, CA (US)

(72) Inventor: **Jennifer MacIntyre**, Santa Barbara, CA (US)

(73) Assignee: **Deckers Outdoor Corporation**, Goleta, CA (US)

(**) Term: **15 Years**

(21) Appl. No.: **29/590,524**

(22) Filed: **Jan. 11, 2017**

(51) **LOC (11) Cl.** **02-04**

(52) **U.S. Cl.**
 USPC **D2/970**

(58) **Field of Classification Search**
 USPC D2/896, 900, 909-911, 946, 969, 970,
 D2/974
 CPC A43B 23/00; A43B 23/02
 See application file for complete search history.

(56) **References Cited**

U.S. PATENT DOCUMENTS

D76,233	S	*	9/1928	Golden	D2/900
D232,876	S	*	9/1974	Cupples et al.	D2/912
D599,999	S		9/2009	MacIntyre		
D646,475	S	*	10/2011	Boncutter	D2/912
D704,425	S		5/2014	MacIntyre		
D704,427	S		5/2014	Dillenbeck		
D706,526	S		6/2014	Mentha		
D734,935	S		7/2015	Todd		
D738,604	S		9/2015	Deas		
D738,605	S		9/2015	Dillenbeck		
D755,494	S		5/2016	Todd		
D762,054	S	*	7/2016	Todd	D2/910
D788,432	S	*	6/2017	MacIntyre	D2/970

OTHER PUBLICATIONS

UGG Australia Josette model, www.uggaustralia.com, <https://web.archive.org/web/20131008134615/http://www.uggaustralia.com/>

women-boots/josette/1003174.html?dwvar_1003174_color=PRVL, Oct. 8, 2013.
 UGG Australia Bailey Button model www.uggaustralia.com https://web.archive.org/web/20120909185522/http://www.uggaustralia.com/womens-bailey-button-boots/5803.default.pd.html?dwvar_5803_color=AU8&start=7&cgild=women-boots-classic, Sep. 9, 2012.
 UGG Australia, style "UGG Classic Cuff Short Boot"; <http://www.ugg.com/women-boots-classic-boots/classic-cuff-short/1016418.html>, Oct. 4, 2016.
 UGG Australia, style "UGG Classic Knot Upper"; <http://www.ugg.com/women-boots-classic-boots/classic-knot/1016416.html#>, Oct. 7, 2016.

(Continued)

Primary Examiner — Robin V Webster
Assistant Examiner — Rashida C. Walshon
 (74) *Attorney, Agent, or Firm* — Greer, Burns & Crain, Ltd.

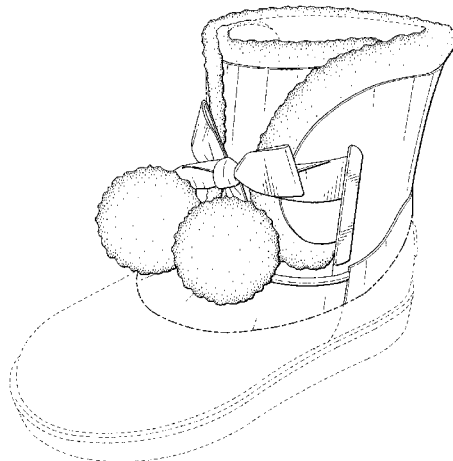
(57) **CLAIM**

The ornamental design for a footwear upper, as shown and described.

DESCRIPTION

FIG. 1 is a perspective view of a footwear upper showing my new design;
 FIG. 2 is a side elevational view thereof;
 FIG. 3 is an opposite side elevational view thereof;
 FIG. 4 is a front elevational view thereof;
 FIG. 5 is a rear elevational view thereof;
 FIG. 6 is a top plan view thereof; and,
 FIG. 7 is a bottom plan view thereof.
 The broken lines in FIGS. 1-7 represent portions of the footwear that form no part of the claimed design. The broken line which defines the bounds of the claimed design forms no part thereof.

1 Claim, 5 Drawing Sheets



(56)

References Cited

OTHER PUBLICATIONS

UGG Australia Bailey Bow model, www.uggaustralia.com, <https://web.archive.org/web/20121002051839/http://www.uggaustralia.com/womens-bailey-bow-sheepskin-boot/1002954.default.pd.html>; Oct. 2, 2012, see images.

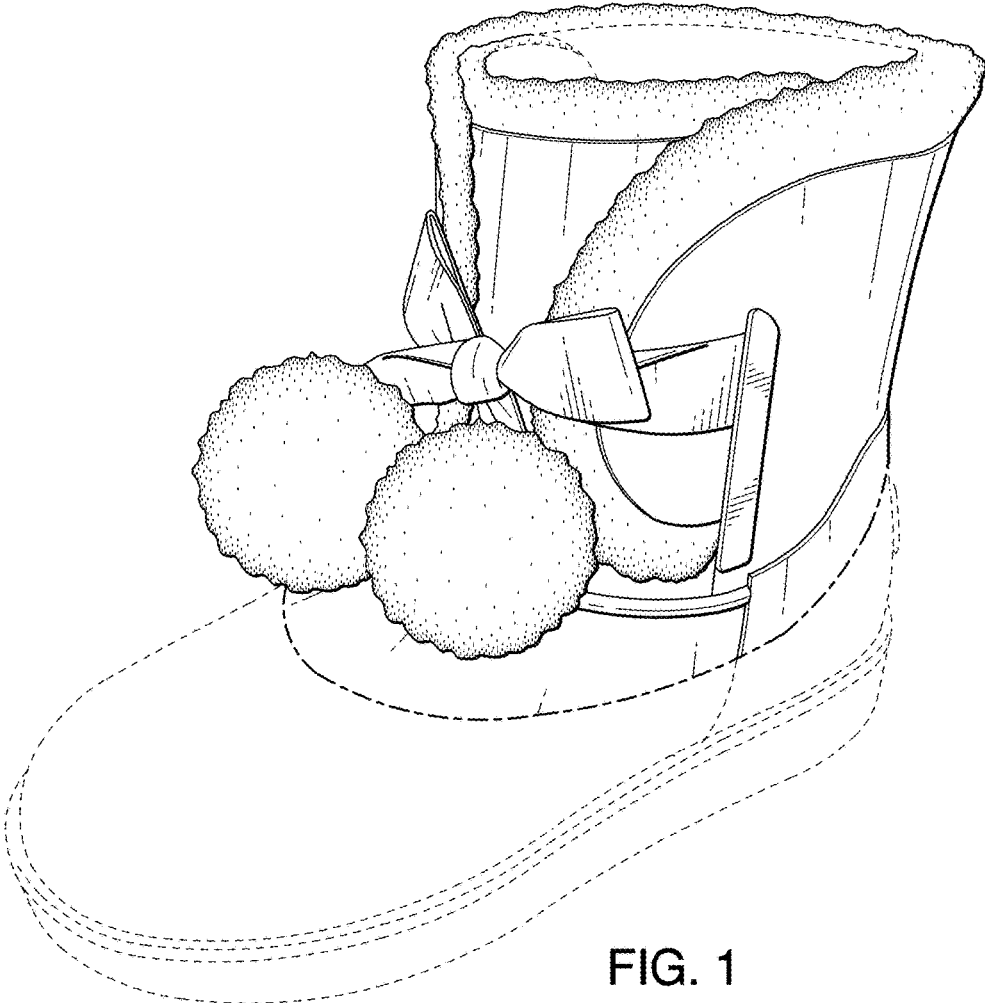
UGG Australia Classic Short Boot, <http://www.zappos.com/p/ugg-classic-short-chestnut/product/7324204/color/278>, see review dated Oct. 21, 2011.

EMU Australia Women's Matilda Boot, on sale in the United States prior to Jan. 11, 2016.

EMU Australia Women's Barossa Boot, on sale in the United States prior to Jan. 11, 2016.

Earth Women's Dakota Short Lined Boots, on sale in the United States prior to Jan. 11, 2016.

* cited by examiner



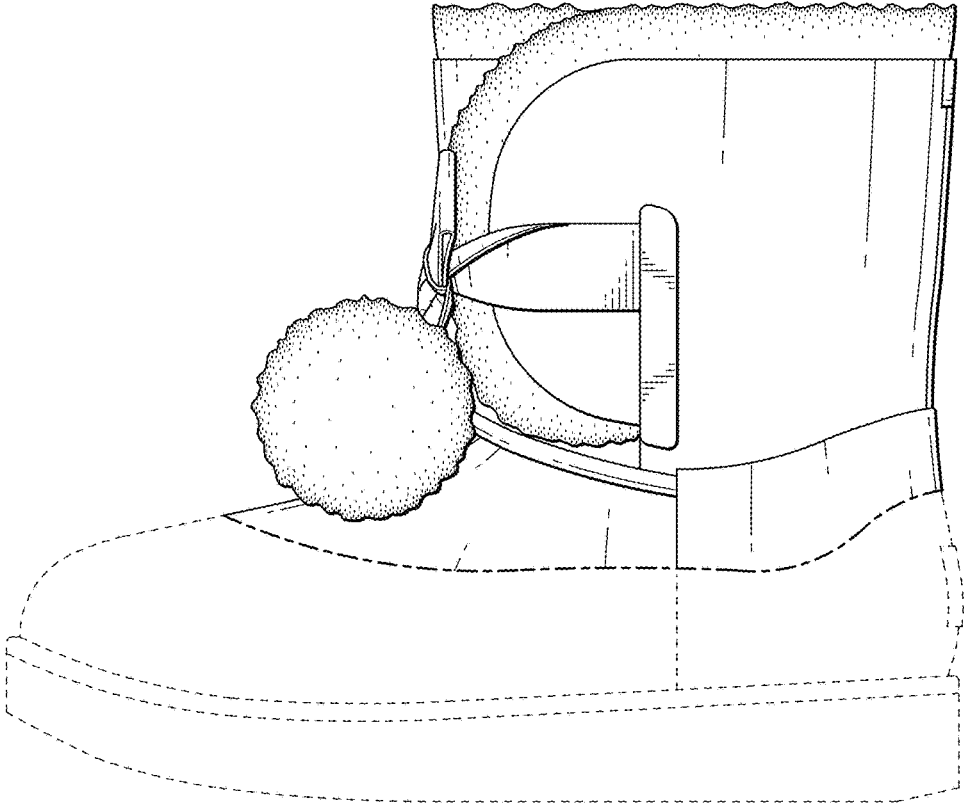


FIG. 2

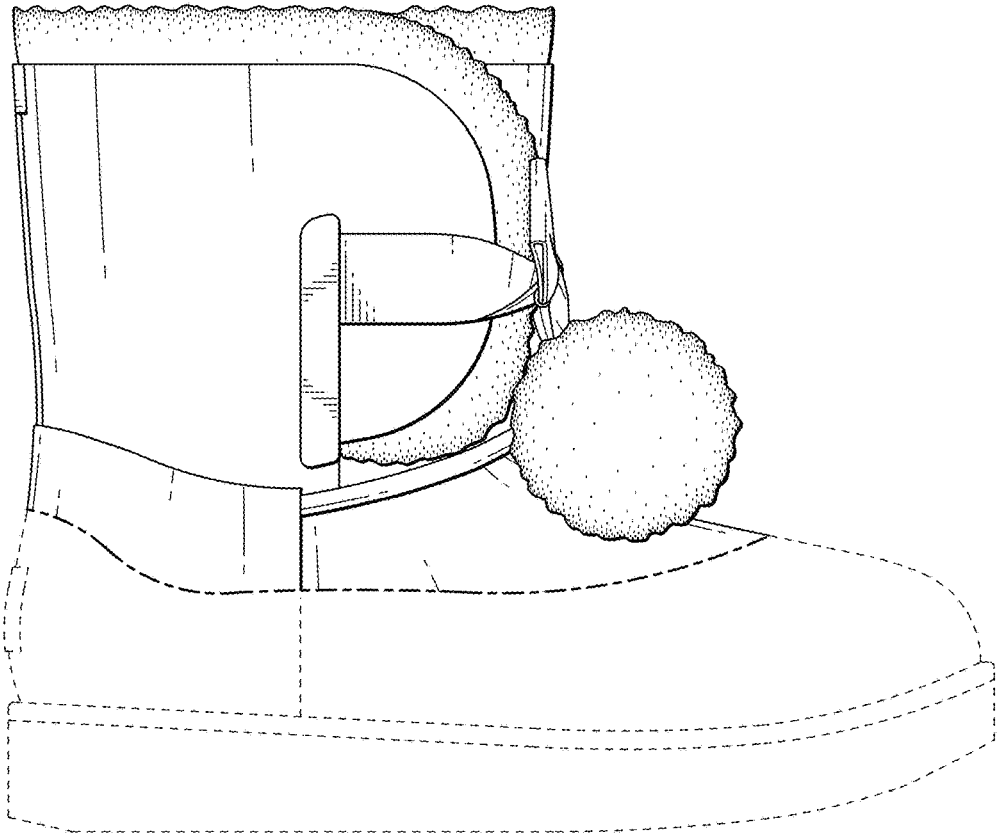


FIG. 3

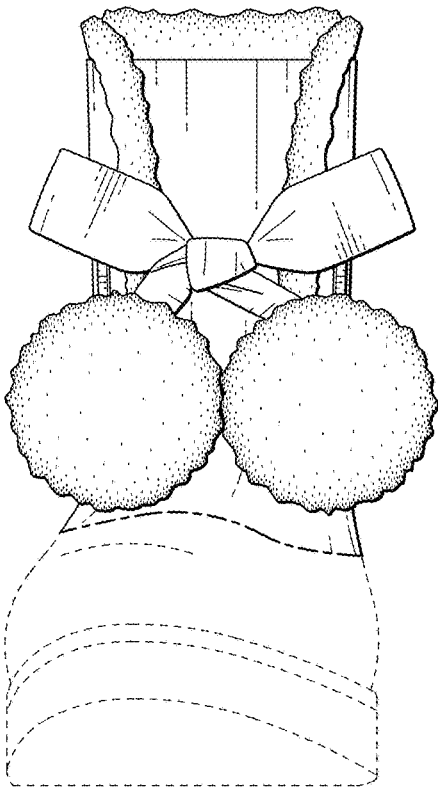


FIG. 4

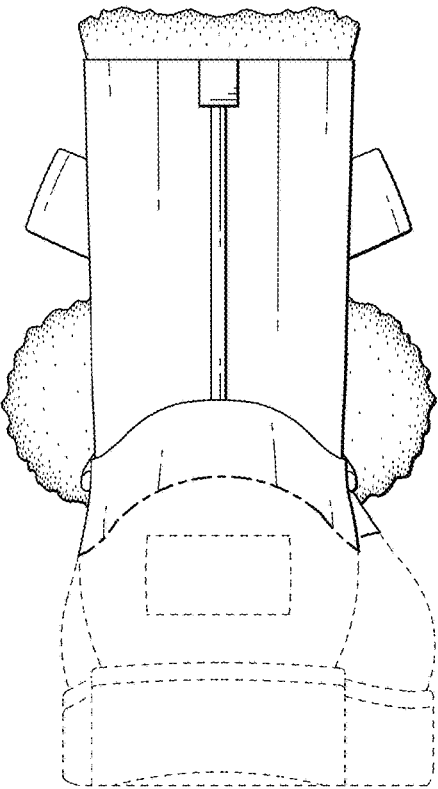


FIG. 5

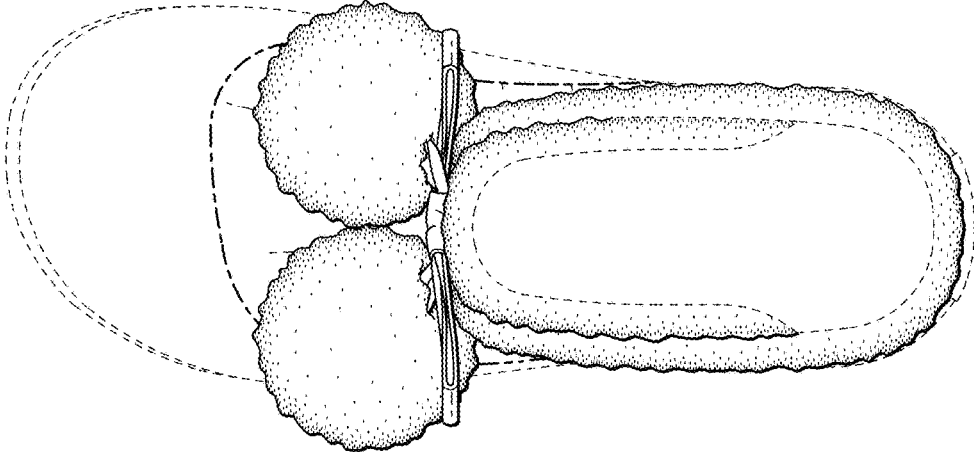


FIG. 6

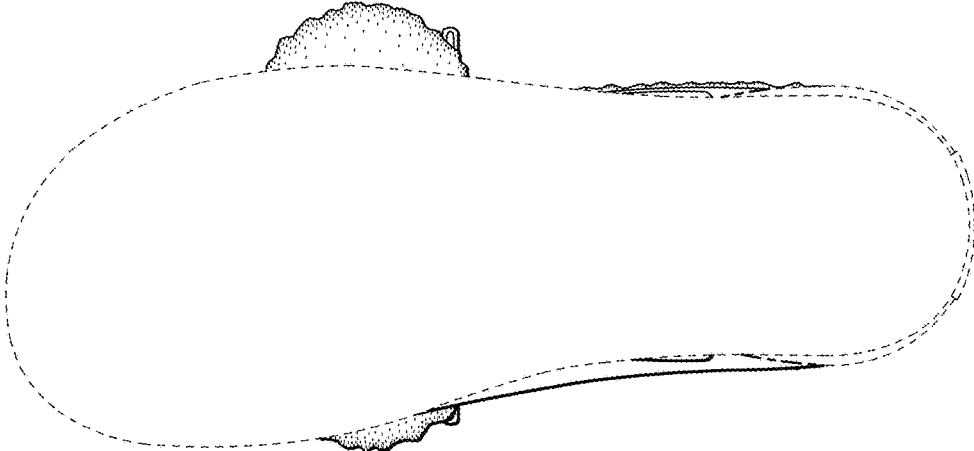


FIG. 7