



US00D621644S

(12) **United States Design Patent**
Johnson

(10) **Patent No.:** **US D621,644 S**

(45) **Date of Patent:** **** Aug. 17, 2010**

(54) **DISPENSER AND DISPLAY DEVICE**

(75) Inventor: **Terry J. Johnson**, Chicago, IL (US)

(73) Assignee: **Gamon Plus, Inc.**, Elk Grove, IL (US)

(**) Term: **14 Years**

(21) Appl. No.: **29/355,535**

(22) Filed: **Feb. 9, 2010**

Related U.S. Application Data

(63) Continuation of application No. 12/429,861, filed on Apr. 24, 2009, now abandoned.

(51) **LOC (9) Cl.** **20-02**

(52) **U.S. Cl.** **D6/515**

(58) **Field of Classification Search** D6/515-524;
206/389, 391; 211/13.1, 16, 44, 49.1, 50,
211/59.2, 86.01; 222/173, 181.1; 221/283;
312/34, 34.8, 34.22, 309.1, 60
See application file for complete search history.

(56) **References Cited**

U.S. PATENT DOCUMENTS

- 5,295,608 A * 3/1994 Blasko et al. 312/309.1
- D486,324 S * 2/2004 Mason D6/515
- D499,590 S * 12/2004 Meredith D6/515
- D499,914 S * 12/2004 Rimback D6/515
- D509,689 S * 9/2005 Ho D6/515
- D563,127 S * 3/2008 Henry et al. D6/515

- D572,057 S * 7/2008 Lledo D6/515
- D584,547 S * 1/2009 Merrick et al. D6/515
- D588,386 S * 3/2009 Johnson et al. D6/515
- D595,074 S * 6/2009 Johnson et al. D6/515
- D608,575 S * 1/2010 Johnson et al. D6/515

* cited by examiner

Primary Examiner—Brian N Vinson

(74) *Attorney, Agent, or Firm*—SAIDMAN DesignLaw Group

(57) **CLAIM**

The ornamental design for a dispenser and display device, as shown and described.

DESCRIPTION

FIG. 1 is a perspective view of a dispenser and display device showing my design;

FIG. 2 is a front view thereof;

FIG. 3 is a rear view thereof;

FIG. 4 is a left-side view thereof;

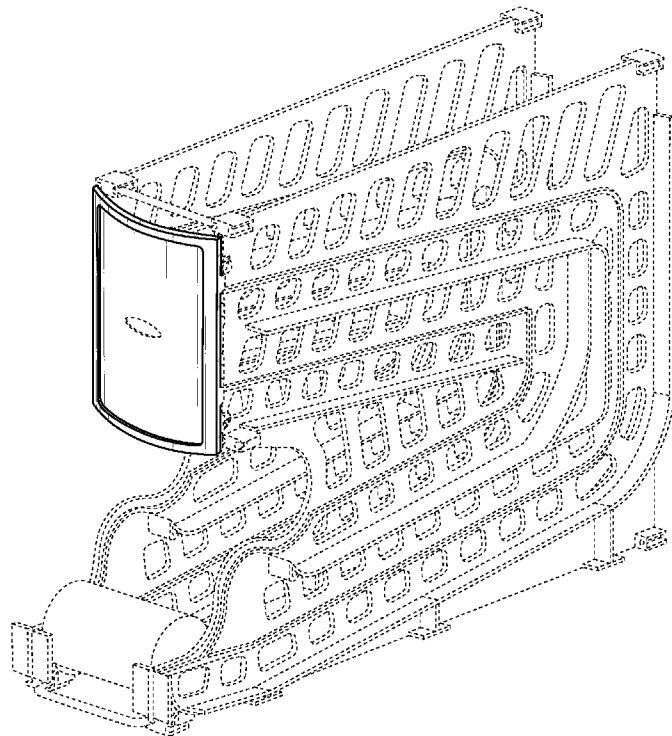
FIG. 5 is a right-side view thereof;

FIG. 6 is a top view thereof; and,

FIG. 7 is a bottom view thereof.

The broken line showing of the aperture, latches, arms and frame is for the purpose of illustrating portions of the dispenser and display device and forms no part of the claimed design.

1 Claim, 4 Drawing Sheets



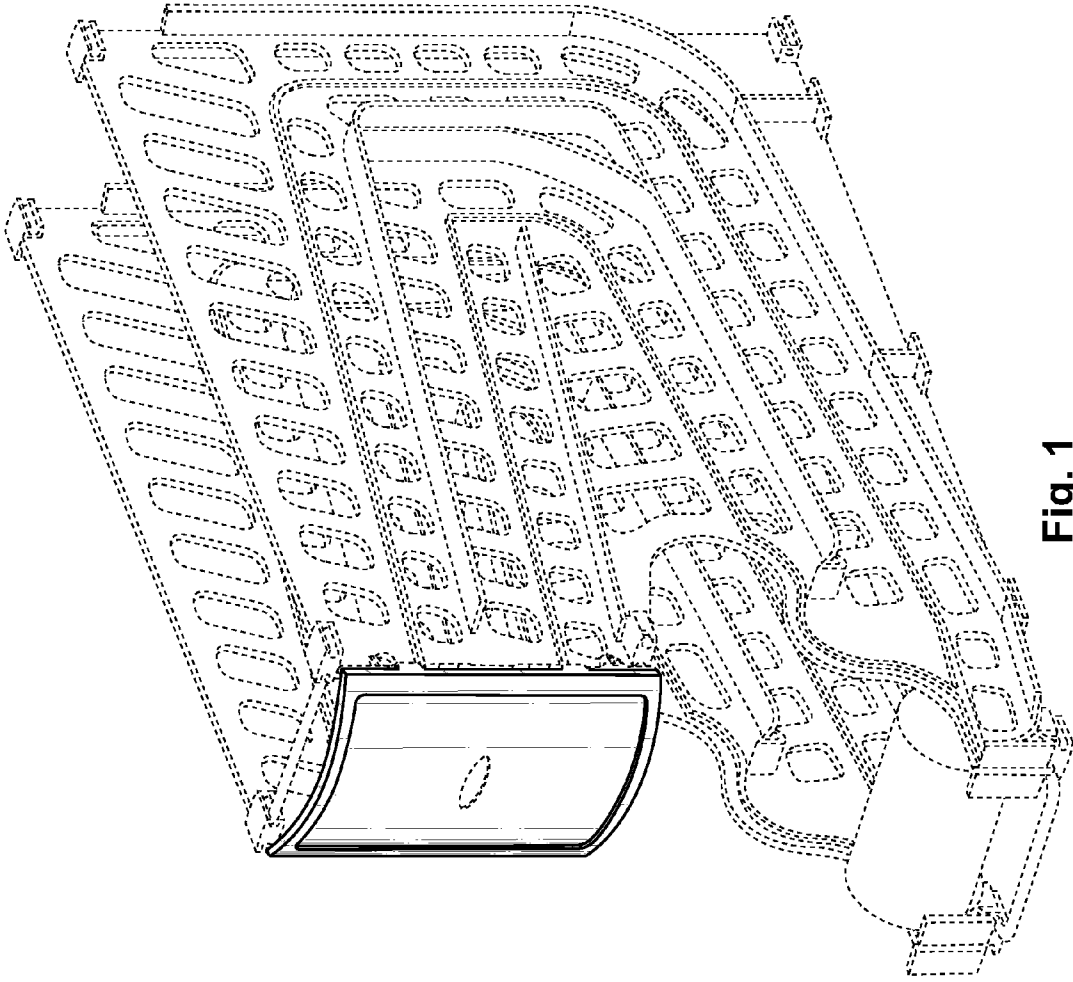


Fig. 1

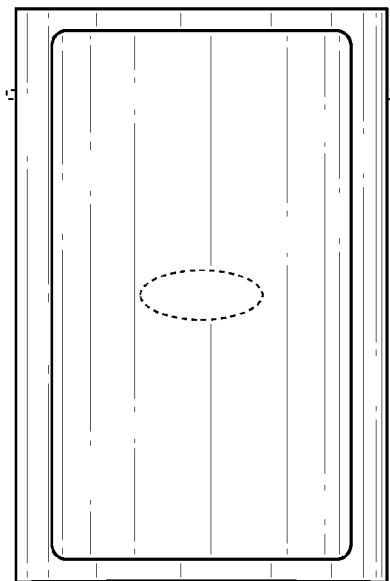


Fig. 2

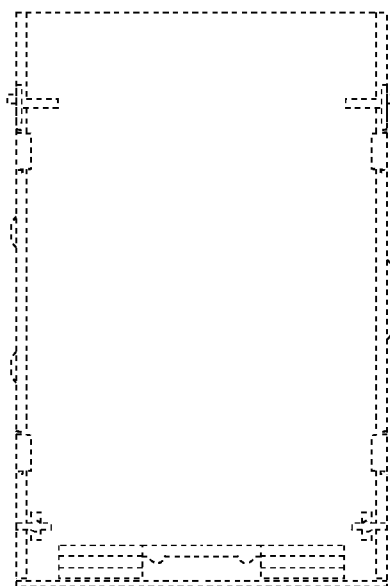


Fig. 3

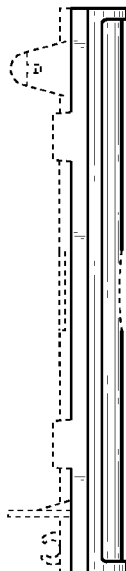


Fig. 4

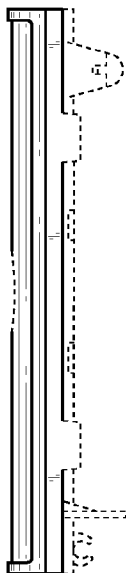


Fig. 5

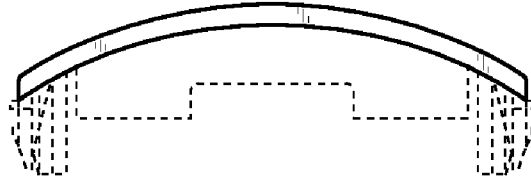


Fig. 6

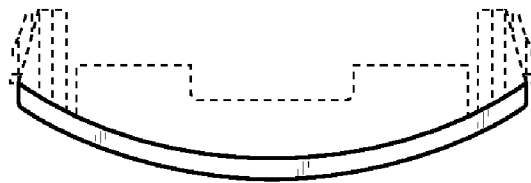


Fig. 7