



US00D813779S

(12) **United States Design Patent**
Biderman et al.

(10) **Patent No.:** **US D813,779 S**

(45) **Date of Patent:** **** Mar. 27, 2018**

- (54) **SMILE SHAPED SPOKE INTERFACE ON A BICYCLE WHEEL HUB**
- (71) Applicant: **Superpedestrian Inc.**, Cambridge, MA (US)
- (72) Inventors: **Assaf Biderman**, Boston, MA (US); **Carlo Ratti**, Turin (IT); **Christine Louise Outram**, Los Angeles, CA (US)
- (73) Assignee: **Massachusetts Institute of Technology**, Cambridge, MA (US)
- (**) Term: **14 Years**
- (21) Appl. No.: **29/514,540**
- (22) Filed: **Jan. 13, 2015**

D232,630	S *	9/1974	Stroonian	D12/205
D269,081	S *	5/1983	Hayashi	D12/205
D269,506	S *	6/1983	Suzuki	D12/205
D269,603	S *	7/1983	Whitmarsh	D12/205
D281,062	S *	10/1985	Hess	D12/205
D312,998	S *	12/1990	Carlson	D12/205
D458,202	S *	6/2002	Passarotto	D12/205
D462,042	S *	8/2002	Bernardi	D12/205
D472,507	S *	4/2003	Passarotto	D12/205
D498,722	S *	11/2004	Smith	D12/205
D596,547	S *	7/2009	Passarotto	D12/205
7,673,946	B1 *	3/2010	Hed	B60B 7/00 301/110.5
D625,333	S *	10/2010	Tanaka	D12/111
D657,726	S *	4/2012	Finnie	D12/205
9,027,681	B2 *	5/2015	Biderman	B60B 1/003 180/220
D764,365	S *	8/2016	Hirai	D12/205
2016/0075177	A1 *	3/2016	Biderman	B60L 3/003 301/6.5

(Continued)

Primary Examiner — George D. Kirschbaum
Assistant Examiner — Joseph J Kukella
 (74) *Attorney, Agent, or Firm* — GTC Law Group PC & Affiliates

- (63) Continuation of application No. 12/960,461, filed on Dec. 3, 2010, now Pat. No. 9,027,681.
- (51) **LOC (11) Cl.** **12-16**
- (52) **U.S. Cl.**
USPC **D12/207**
- (58) **Field of Classification Search**
USPC D12/204–213; D15/3; 301/6.5
CPC B60B 7/00; B60B 7/02; B60B 7/04; B60B 7/01; B60B 7/06; B60B 3/02; B60B 3/04; B60B 3/06; B60B 3/10; B60B 1/00; B60B 1/08; B60B 1/10; B60B 1/12; B60B 1/0003; B60B 27/04; B60B 27/0015
See application file for complete search history.

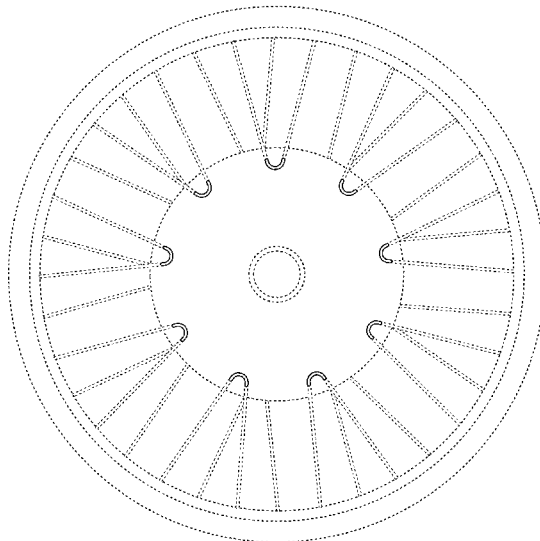
(57) **CLAIM**
 The ornamental design for a smile shaped spoke interface on a bicycle wheel hub, as shown and described.

DESCRIPTION

FIG. 1 is a plan view of smile shaped spoke interfaces on a bicycle wheel hub; and
 FIG. 2 is a front view of smile shaped spoke interfaces on a bicycle wheel hub; and,
 FIG. 3 is detailed perspective view of a single smile shaped spoke interface on a bicycle wheel hub.
 In the drawings, the broken lines depict environmental subject matter only and form no part of the claimed design.

- (56) **References Cited**
U.S. PATENT DOCUMENTS
D218,232 S * 8/1970 Shimano D12/205
D218,964 S * 10/1970 Shimano D12/205

1 Claim, 3 Drawing Sheets



(56)

References Cited

U.S. PATENT DOCUMENTS

2016/0082772 A1* 3/2016 Biderman A61G 5/045
301/6.5

* cited by examiner

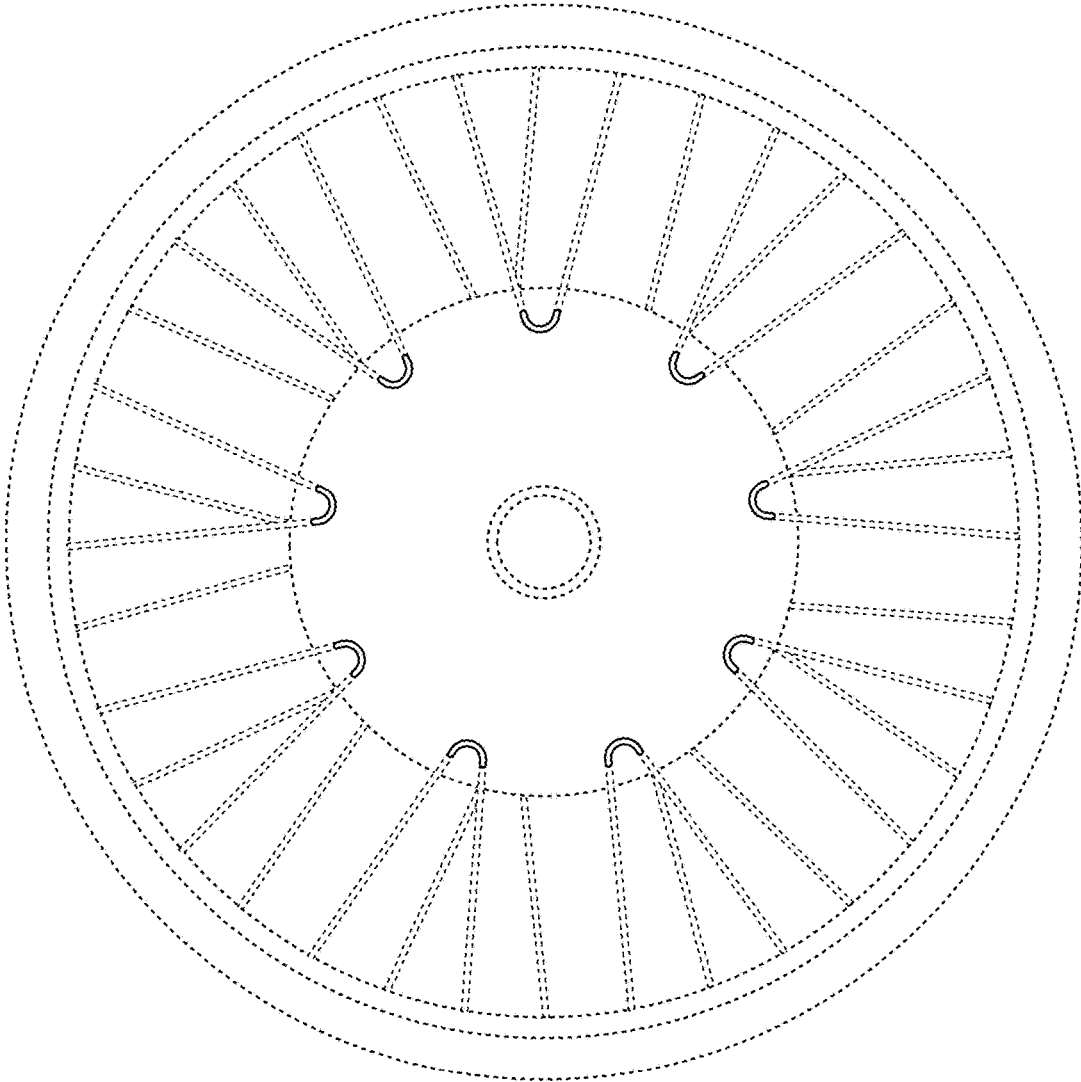


FIG. 1

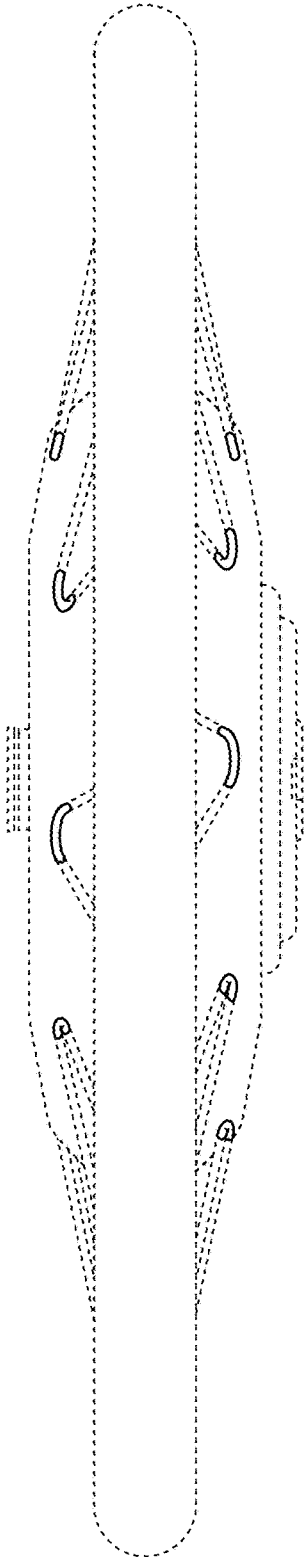


FIG. 2

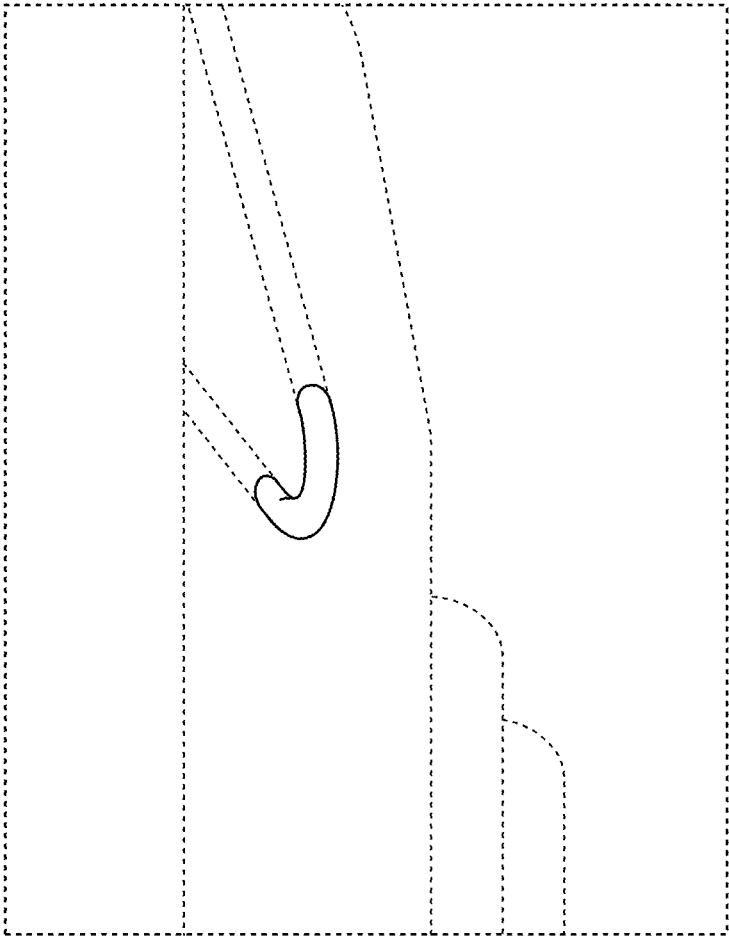


FIG. 3