



(12) **United States Design Patent**
Jack et al.

(10) **Patent No.:** **US D813,481 S**
(45) **Date of Patent:** **** Mar. 20, 2018**

- (54) **SPONGE**
- (71) Applicant: **Turtle Wax, Inc.**, Addison, IL (US)
- (72) Inventors: **Robert C. Jack**, Schaumburg, IL (US);
Daren Herbert, Naperville, IL (US)
- (73) Assignee: **Turtle Wax, Inc.**, Addison, IL (US)
- (**) Term: **15 Years**
- (21) Appl. No.: **29/594,818**

D732,781 S * 6/2015 Gimbel D32/40
 D768,947 S * 10/2016 Mantelli D32/40
 2014/0075699 A1* 3/2014 Krause A47K 7/02
 15/209.1
 2017/0157283 A1* 6/2017 Sherman A61L 2/0029

FOREIGN PATENT DOCUMENTS

CN 303176741 * 4/2015
 CN 303766712 * 8/2016
 CN 3039795353 * 12/2016

OTHER PUBLICATIONS

AmazonSmile: Turtle Wax 50707 M.A.X. Power Hand Cleaning
 Sponge, reviews 2017, <https://smile.amazon.com/Turtle-Wax-50707-Cleaning-Sponge/dp/B072HW2CPV/ref=...> site visited-
 Dec. 19, 2017.*

* cited by examiner

Primary Examiner — John Windmuller
Assistant Examiner — John R Yeh
 (74) *Attorney, Agent, or Firm* — Neal, Gerber &
 Eisenberg LLP

- (22) Filed: **Feb. 22, 2017**
- (51) **LOC (11) Cl.** **07-05**
- (52) **U.S. Cl.**
 USPC **D32/40**
- (58) **Field of Classification Search**
 USPC D32/40, 43
 CPC A47L 13/59; A61L 24/00
 See application file for complete search history.

(56) **References Cited**

U.S. PATENT DOCUMENTS

D179,989 S * 4/1957 Virneburg D28/63
 D271,817 S * 12/1983 Collin D32/40
 D353,238 S * 12/1994 Francis D28/63
 D416,654 S * 11/1999 Haynes D28/63
 D417,354 S * 12/1999 Valenti D6/582
 D452,053 S * 12/2001 Denney D32/40
 D571,515 S * 6/2008 Krause D32/40
 D578,718 S * 10/2008 Bettanin D32/40
 D591,018 S * 4/2009 Bogaerts D32/40
 D599,476 S * 9/2009 Levine D24/119
 D602,665 S * 10/2009 Porcini D32/40
 D618,410 S * 6/2010 Libman D32/40
 D657,514 S * 4/2012 Pedriza Hernandez D32/40
 D663,083 S * 7/2012 Pedriza Hernandez D32/40
 D667,187 S * 9/2012 Sowinski D32/40
 D695,478 S * 12/2013 Hobe D32/40
 D703,896 S * 4/2014 Ishikawa D32/40
 D706,488 S * 6/2014 Forrest D28/63
 8,925,140 B1 * 1/2015 Troiani A47K 7/028
 15/210.1

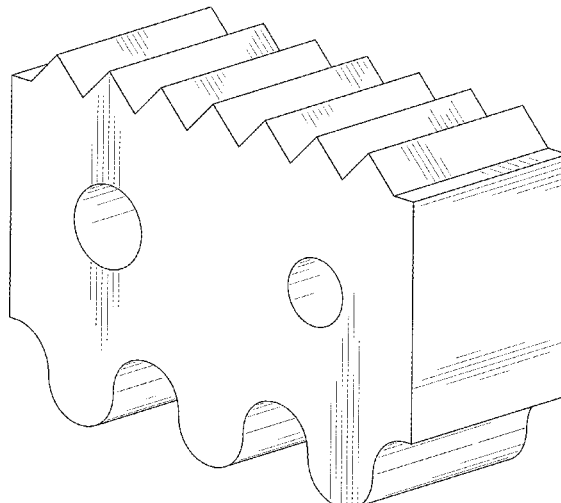
(57) **CLAIM**

The ornamental design for a sponge, as shown and described.

DESCRIPTION

FIG. 1 is a front perspective view of our design for a sponge;
 FIG. 2 is another front perspective view thereof;
 FIG. 3 is a front elevation view thereof;
 FIG. 4 is a rear elevation view thereof;
 FIG. 5 is a left side elevation view thereof;
 FIG. 6 is a right side elevation view thereof;
 FIG. 7 is a top plan view thereof; and,
 FIG. 8 is a bottom plan view thereof.

1 Claim, 5 Drawing Sheets



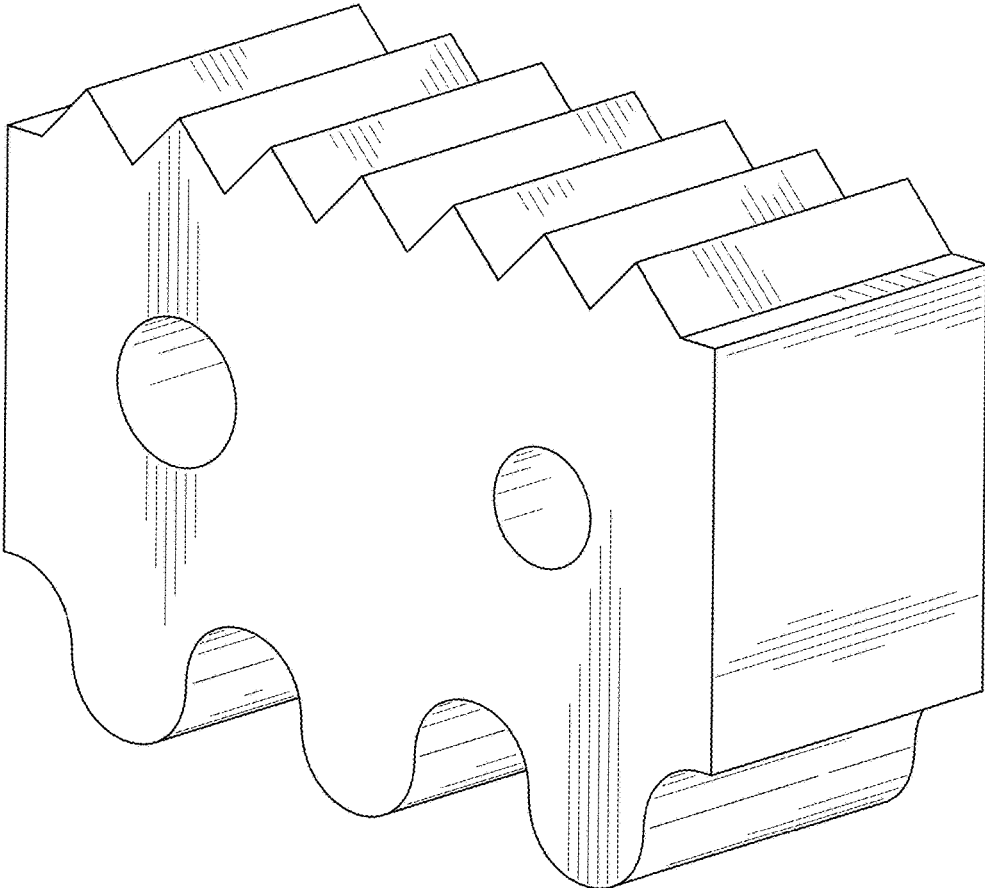


FIG. 1

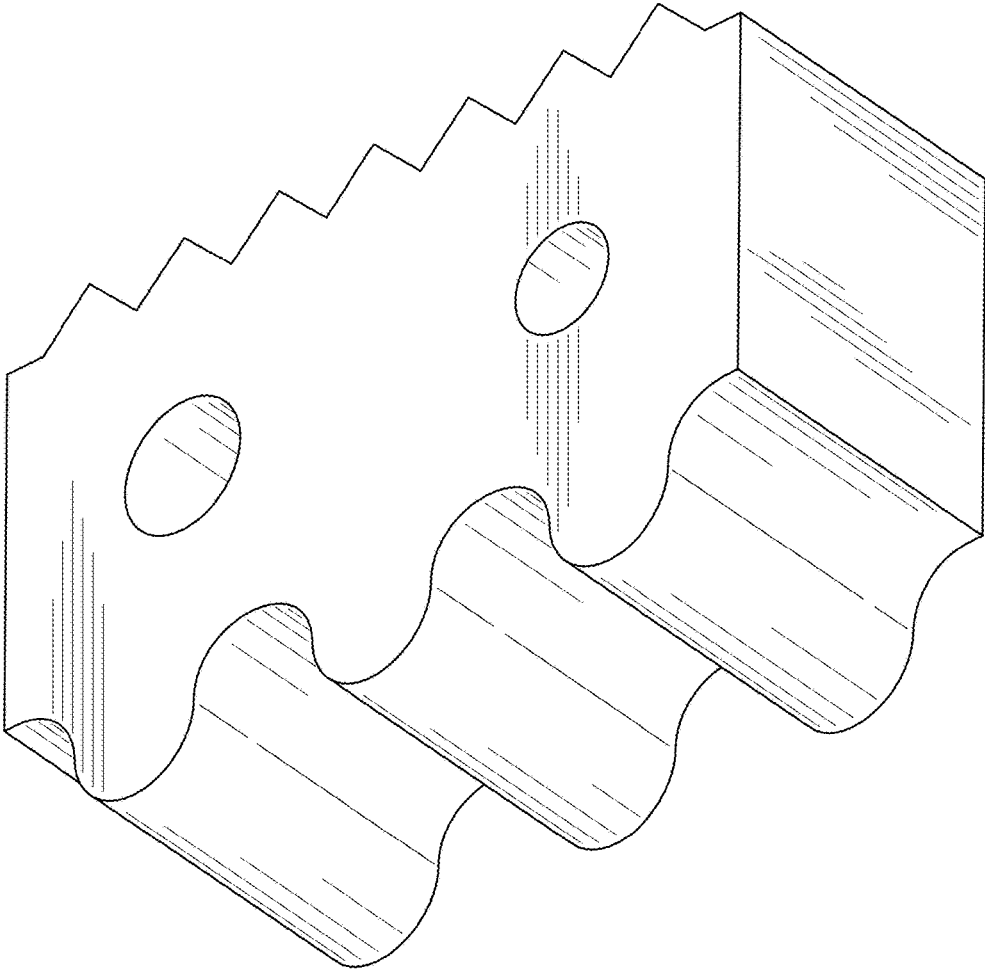


FIG. 2

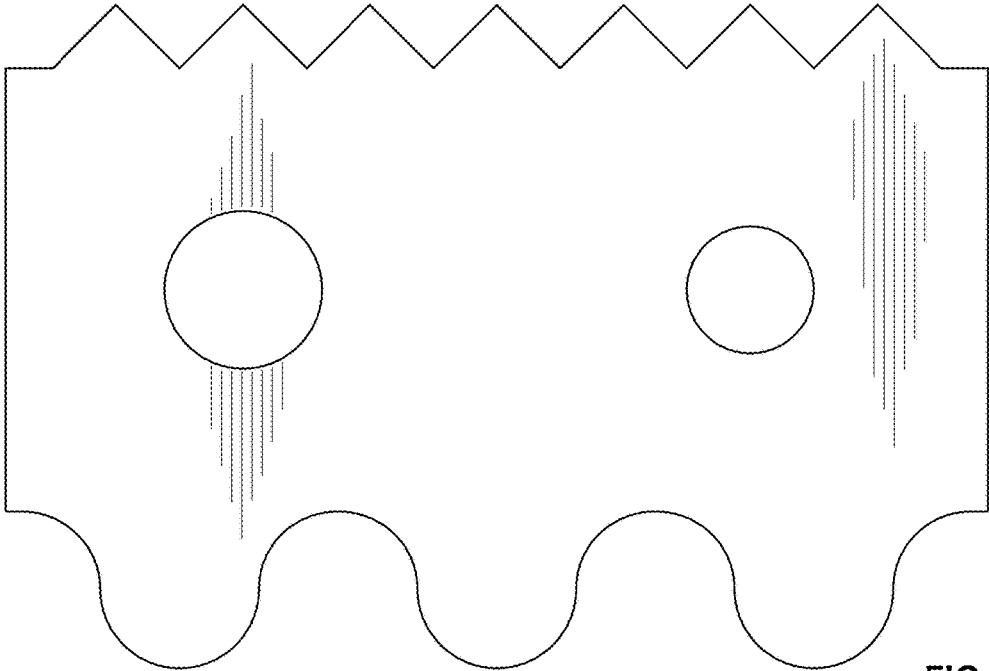


FIG. 3

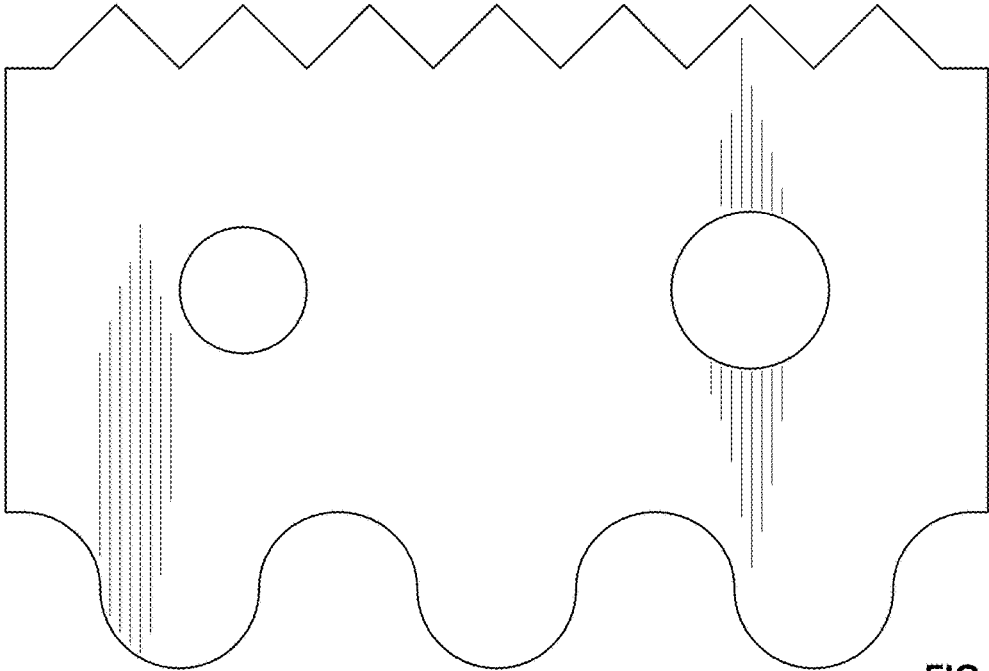


FIG. 4

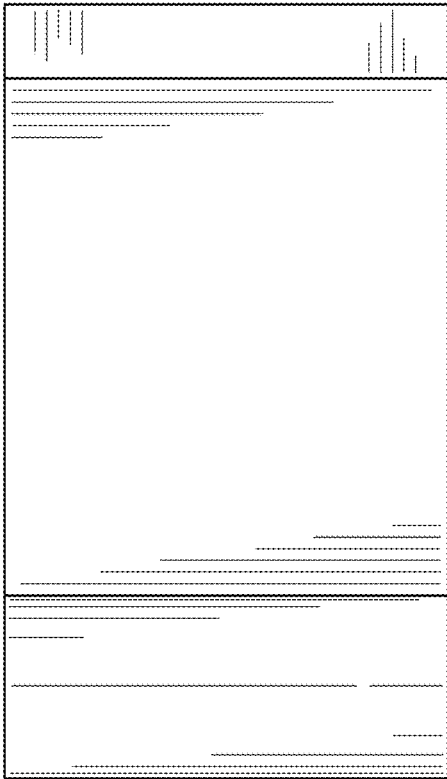


FIG. 5

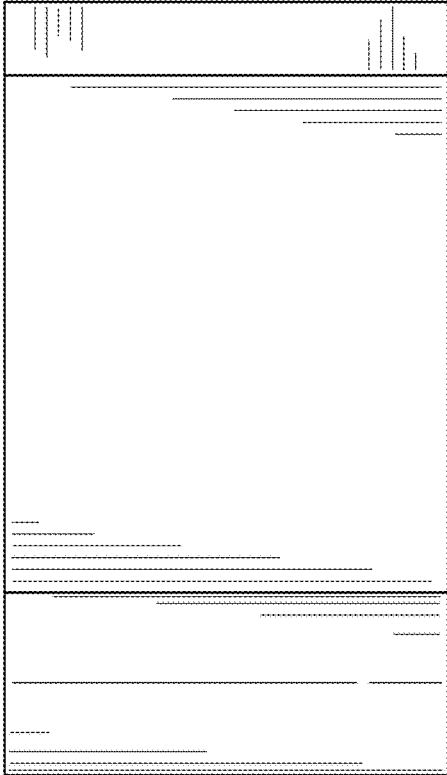


FIG. 6

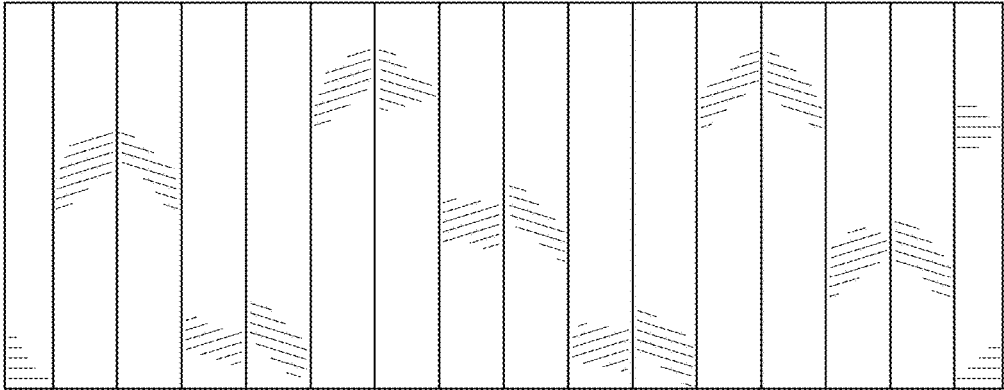


FIG. 7

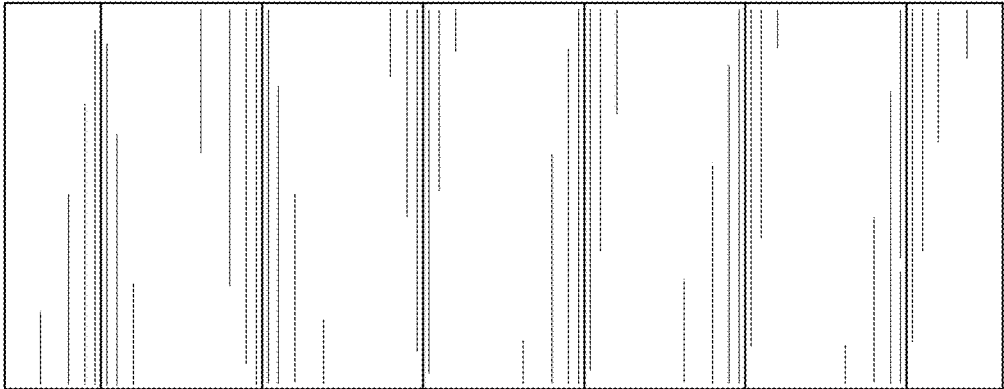


FIG. 8